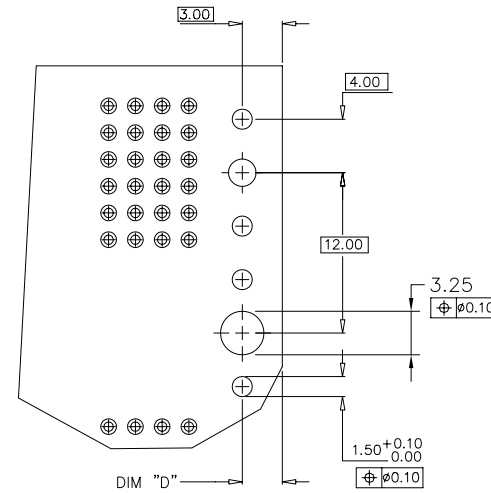
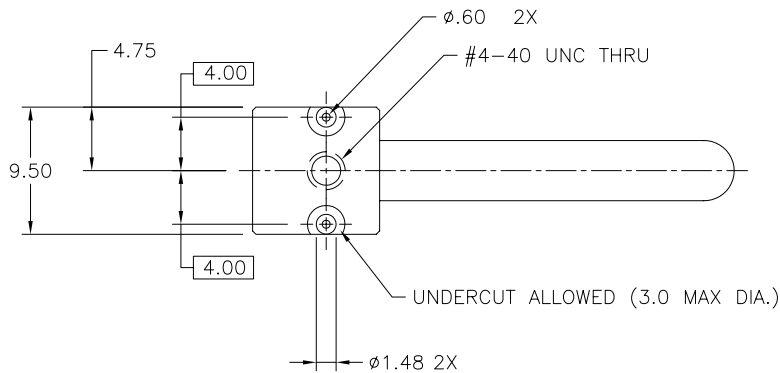
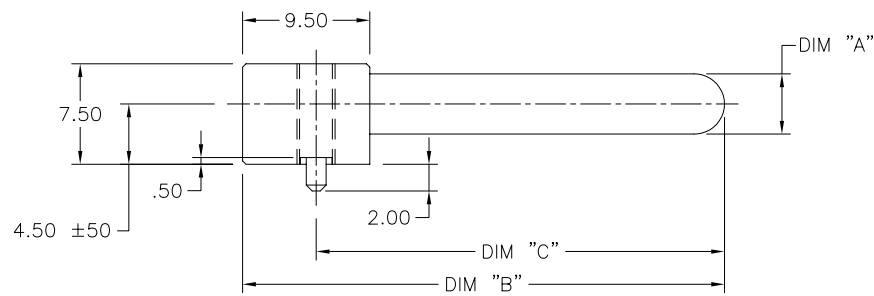


PRODUCT NO.	DIM "A"	DIM "B"	DIM "C"	DIM "D"	PLATING	LEAD FREE
72019-101	4.50	36.00	30.50	3.00	1.3um NICKEL	NOTE 2
72019-102	3.60	33.26	27.76	4.00	4um NICKEL	



REQUIRED PC BOARD LAYOUT COMPONENT

NOTES:

1. MATERIAL: BRASS
2. ADD "LF" SUFFIX AT THE END OF PART NUMBER FOR LEAD FREE OPTION.
3. THIS PRODUCT MEETS EUROPEAN UNION DIRECTIVES AND OTHER COUNTRY REGULATION AS DESCRIBED IN GS-22-008.

mat'l. code		surface		tolerance		projection		product family	
SEE NOTES		ISO 1302 ✓		ISO 406 ISO 1101		mm		METRAL ACC	
ltr	ecn no	dr	date	tolerances unless otherwise specified		mm		title	
A	v61759	SAR	2/18/97	angles	linear	xx ±.01/3	← mm →	RIGHT ANGLE GUIDE PIN MODULE	
B	v12693	EPK	11/13/01			xxx ±.005/.13			
C	v20587	CGD	3/22/02	σ±2'		xxxx ±.0020/.050	scale 1:1	dwg no	
D	v20702	CGD	4/10/02	dr	S. ROYER	12/06/96	FCJ	sheet 1 of 1	
E	M05-0198	MHT	9/13/05	enr	C. PENDLETON	12/06/96		72019	
F	M06-0286	MNR	7/27/06	chr	C. PENDLETON	12/06/96		A3	
sheet index		revision	F	appd		C. PENDLETON	12/06/96	type Product Customer Drawing	
sheet 1		sheet 1	1						